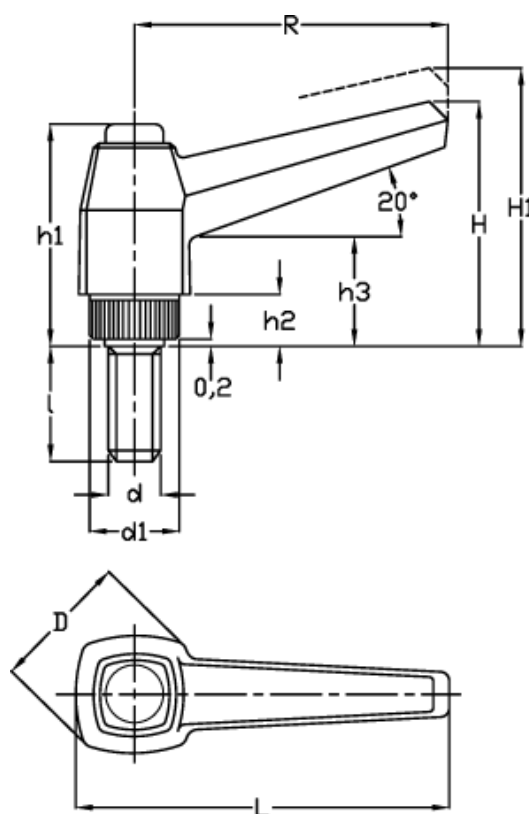


Article number: 2303142211

Description: E+G Adjustable handle w/threaded stud
MRX.80 p-M10x25

Measures



D	= 28	I	= 25
d1	= 19	L	= 92
d 6g	= M10	Number of teeth	= 24
H	= 54	R	= 80
h1	= 47		
H1	= 58.5		
h2	= 10		
h3	= 22		